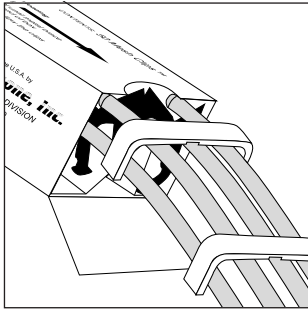


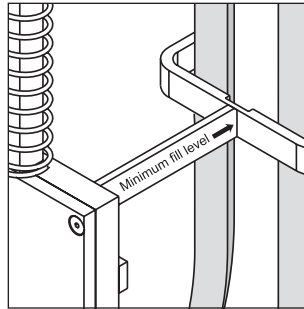
Mesh Clip™ Installation Tool

Operating Instructions

Loading the tool



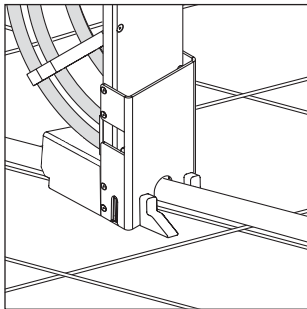
Load directly from the clip box to the magazine. See the PEX-2-Mesh Clips™ box for details.



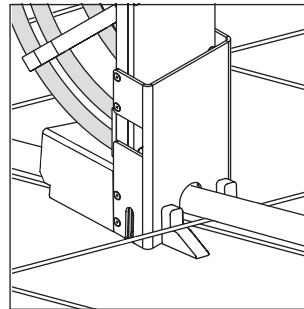
Keep the magazine filled to the "minimum fill line".

PEX-2-Mesh Clips™ are the only clips that are compatible with this tool.

Operating the tool



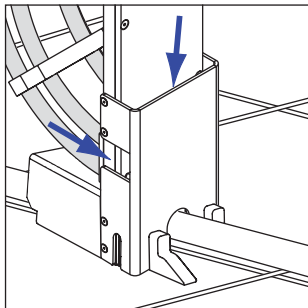
Place the tool over the PEX tubing and a mesh wire parallel to the tubing.



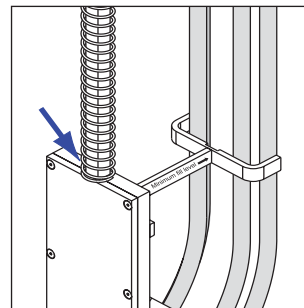
Using your foot, slide front forks under the mesh then depress the handle firmly until the clip locks the tube to the wire.

Tool is designed to accommodate 1/2" and 5/8" PEX tubing.

Maintaining the tool



Keep mechanism clean. Frequent lubrication with a synthetic teflon lubricant will extend the life of the tool. Do not use a water displacement or graphite lubricant.



 **Peter Mangone, Inc.**
PLUMBING PRODUCTS DIVISION